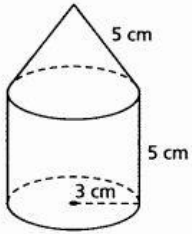
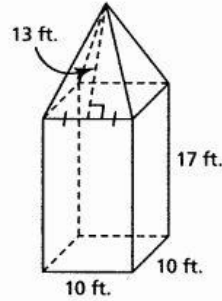


Determine the surface area of each composite object to the nearest square unit.

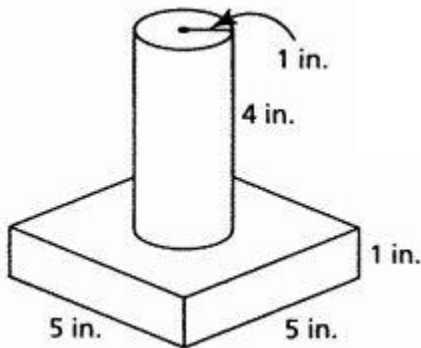
a) right cylinder and right cone



b) right square prism and right square pyramid



c) right square prism and right cylinder



d) right cone and hemisphere

